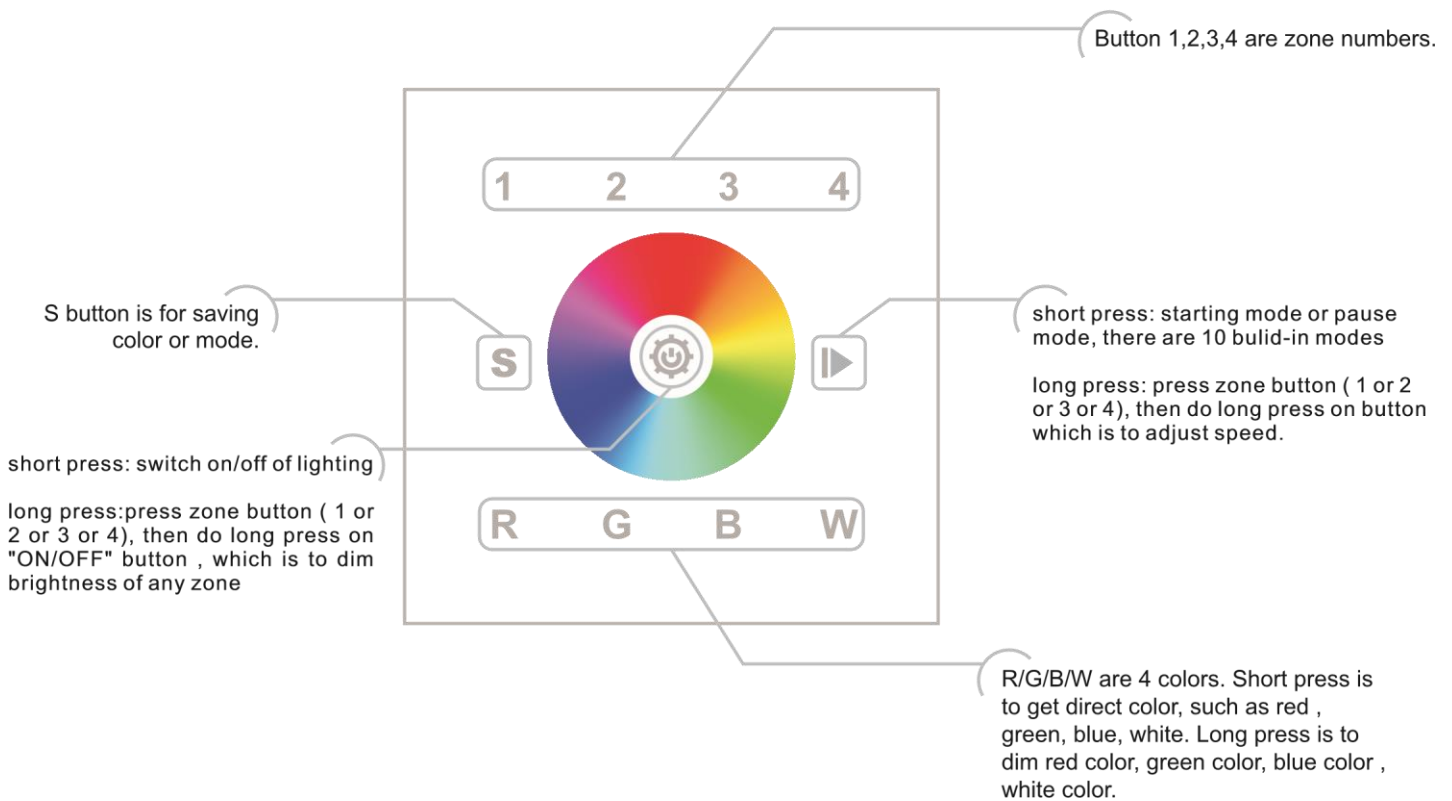


## CL-WC-DMX-04 User Manual

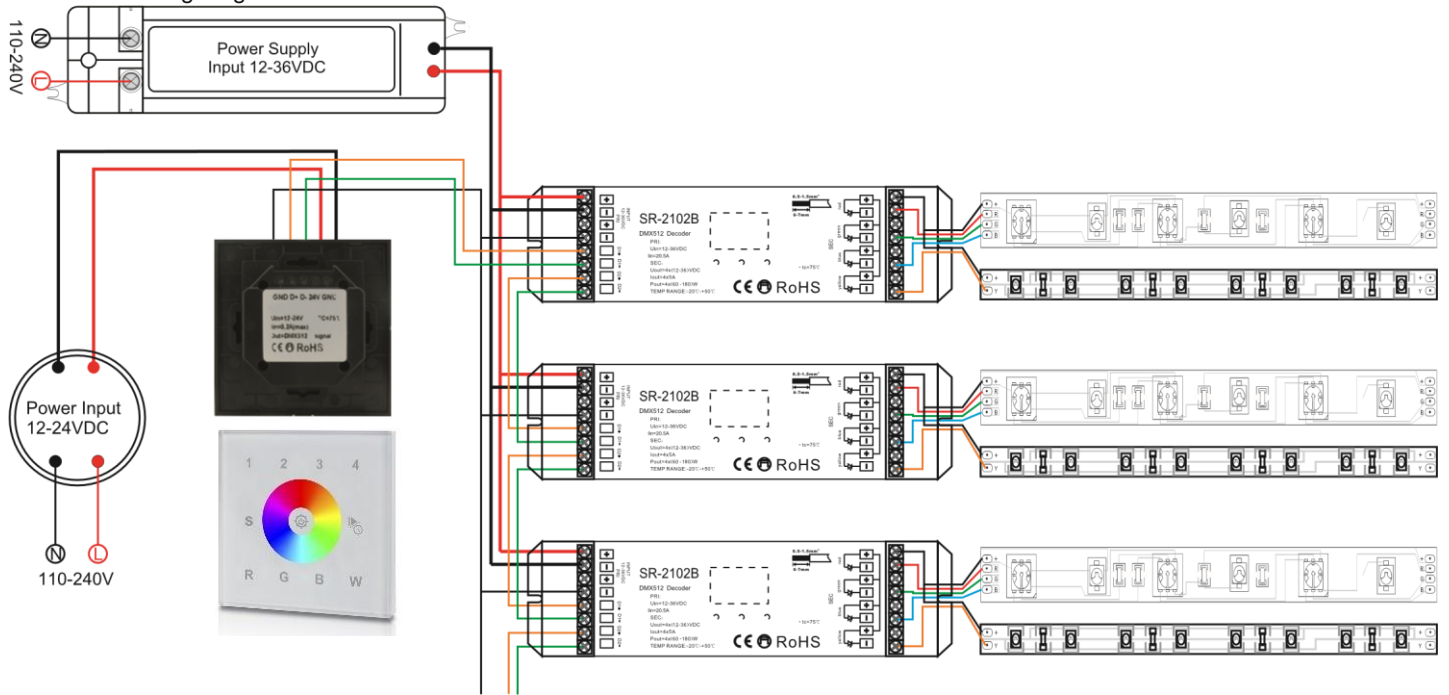


### 1.Button function



## 2. Wiring

Please see wiring diagram below




## 3. Zone Button Operation


Each zone has 4 addresses. Button one is address from 1-4, button 2 is 5-8. Button 3 is 9-12, button 4 is 13-16. There are total 16 addresses.

**Note:** the address of zone 1 is fixed from 1-4; the address of zone 2 is fixed from 5-8; the address of zone 3 is fixed from 9-12; the address of zone 4 is fixed from 13-16. So we only can change the address of DMX decoder, then corresponding zone can control DMX decoder separately or synchronously.

**S** Button can save the color from mode or save color when you touch color wheel.

In "S" button, it saved "R/ G/ B" 3 colors in default. But you can save another 3 colors and replace those R/G/B colors.

Press any zone button----> press  button, mode runs, select favourite mode----> press S button over 3 seconds until connected light flashes. Then it saved successfully.

Press any zone button----> touch  color wheel, select favourite color----> press S button over 3 seconds until connected light flashes. Then it saved successfully.

+44 (0) 1553 617591 / +44 (0) 7811 339037

[info@conceptledlights.com](mailto:info@conceptledlights.com)

3 White House Court, High Road, Saddlebow, King's Lynn, Norfolk PE34 3BF

VAT reg. no. GB152792301