


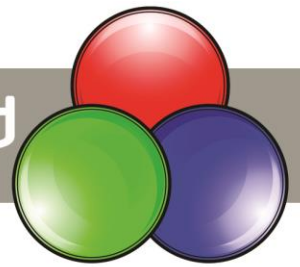


TECHNICAL DATA

Wall Mounted Dimmer Controllers

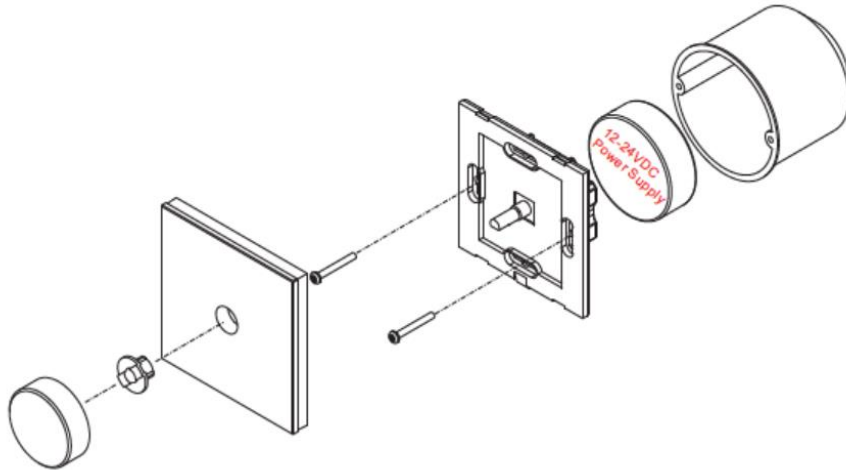
Specification	Product		
			
Product code	CL-WC-1-10V	CL-WC-W-1	CL-WC-W-2
Compatible drivers	CL-DIM-CV8 CL-DIM-CV10	CL-RGBW-R	CL-RGBW-R
Application	Single colour LED products	Single colour LED products	Single colour
Power supply	12V – 24V DC	CR24 30 battery	CR24 30 battery
Power input	12V – 24V DC	3V DC	3V DC
Output signal	0/1-10V	RF wireless	RF wireless
Zone control	1 zone	1 zone	2 zone
Operating temp	-10°C - +50°C	-10°C - +50°C	-10°C - +50°C
Control	Push rotary dial	Push	Push
Connections			
Connections	Terminal screw	Wireless	Wireless
Quality			
Grade	Commercial	Commercial	Commercial
CE and RoHS certified	Yes	Yes	Yes
Warranty	2 years	2 years	2 years
Dimensions (mm)			
Length	86	86	86
Width	86	86	86
Depth	29.1	13.8	13.8
Weight	0.2kg	0.2kg	0.2kg
Fixing	UK single gang back box	UK single gang back box	UK single gang back box
Material	Glass	Glass	Glass



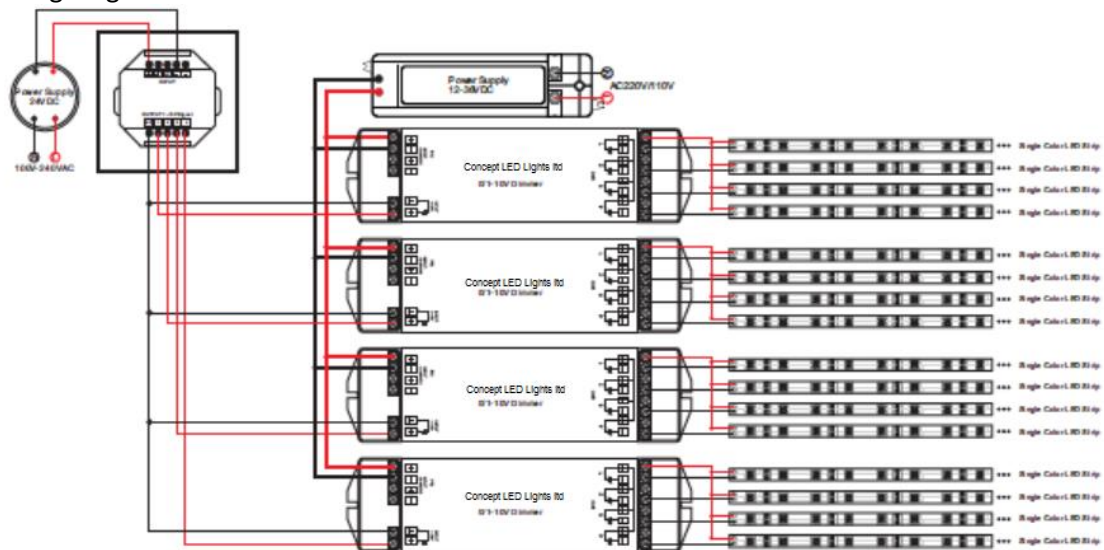


CL-WC-1-10V 1 zone rotary dimmer


Installation

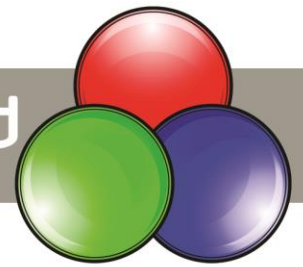


Wiring diagram



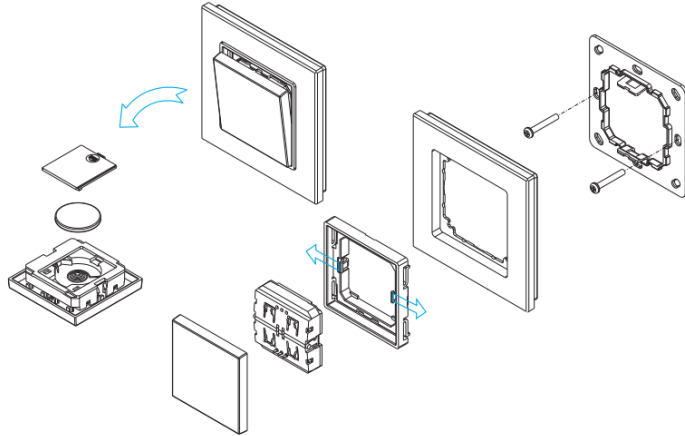
Operation

- Short push rotary button  to switch ON/OFF
- Adjust dim brightness by the rotary button from left to right 1-100%
- Adjust dim brightness by the rotary button from right to left 100-1%

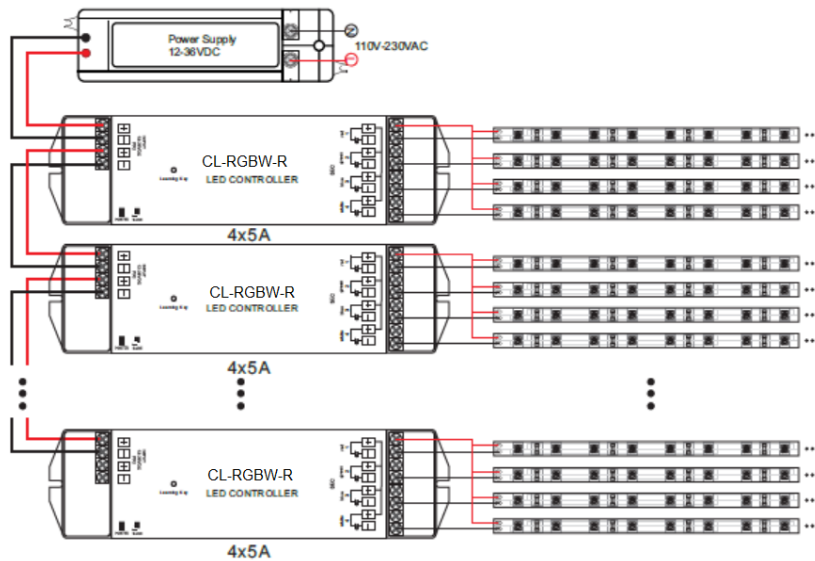


CL-WC-W-1 1 Zone push dimmer

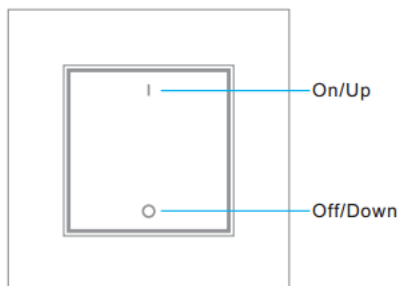
Installation



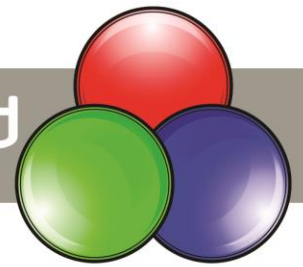
Wiring diagram



Operation

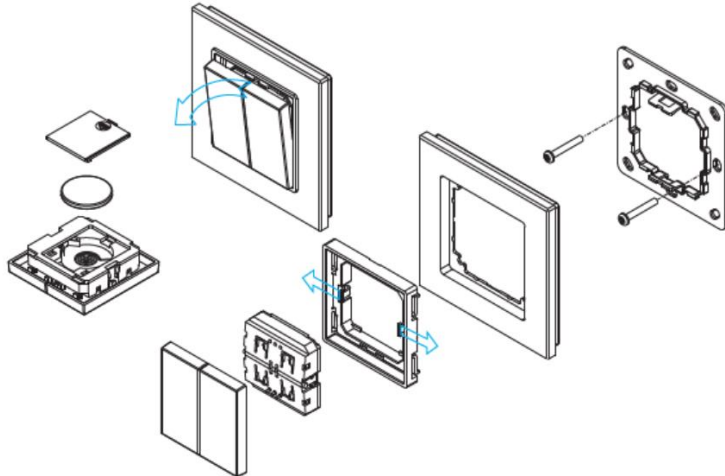


1. Pairing with remote: connect well receiver, press learning key on receiver, then immediately push | or ○, the led will flash, means well paired. One remote can pair with endless of receivers, to control in sync.
2. Short press | for ON, long press for turn Up brightness.
short press ○ for OFF, long press for turn Down brightness.
3. If you want delete the receiver's learning data, just long press for 5 seconds the learning key on receiver, the receiver will be deleted the learning, be set as factory defaults.

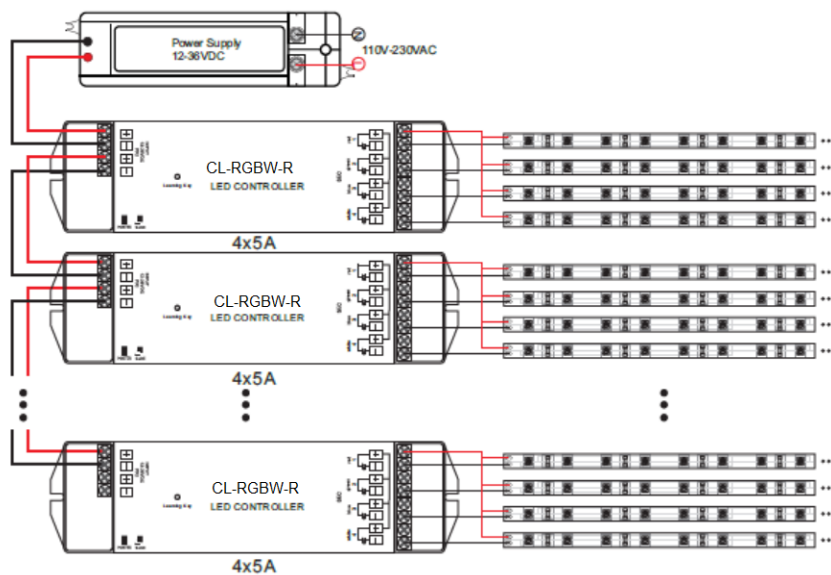


CL-WC-W-2 2 Zone push dimmer

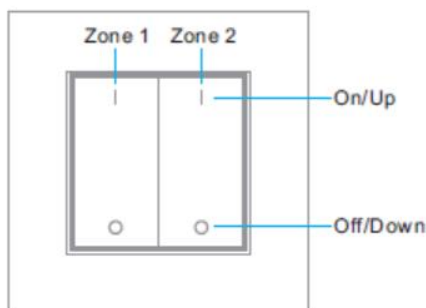
Installation



Wiring diagram



Operation



1. Pairing with remote: connect well receiver, press learning key on receiver, then immediately push | or ○, the led will flash, means well paired. One remote can pair with endless of receivers, to control in sync.
2. Short press | for ON, long press for turn Up brightness. short press ○ for OFF, long press for turn Down brightness.
3. If you want delete the receiver's learning data, just long press for 5 seconds the learning key on receiver, the receiver will be deleted the learning, be set as factory defaults.