

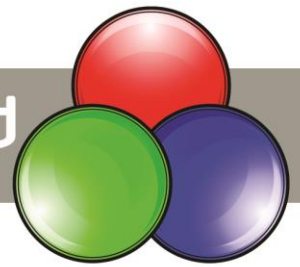


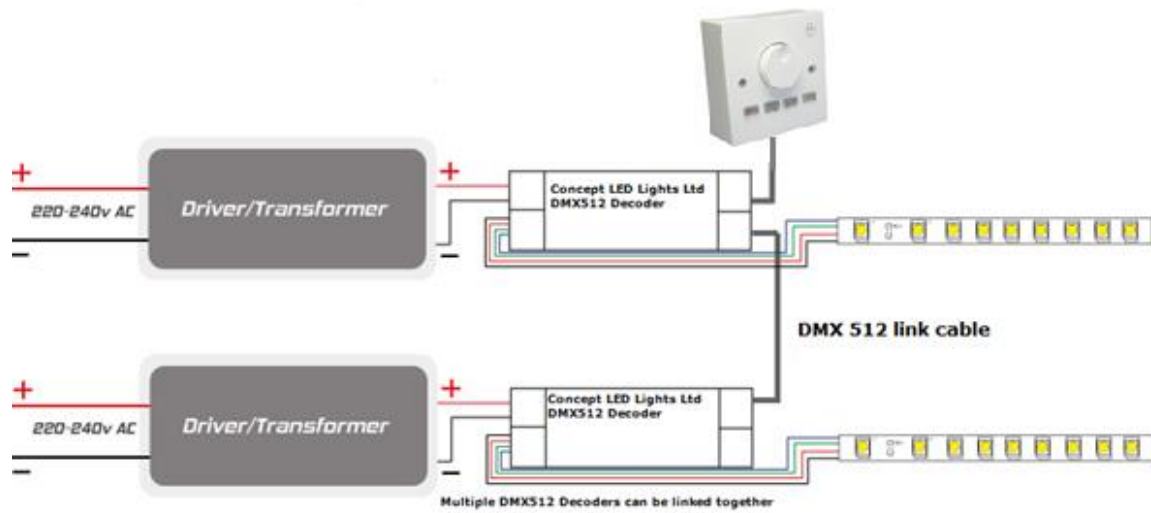
TECHNICAL DATA

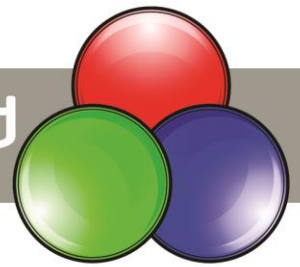
Wall mounted DMX512 interactive controllers

Specification	Product		
	New controller coming soon		
Product code		CL-WC-DMX-SL	CL-WC-DMX-04
Compatible drivers		CL-DMX512RGB CL-DMX512RGBW CL-P-DMX512-300-CV CL-P-48-CC CL-P-144-CC CL-P-192-CC	CL-DMX512RGB CL-DMX512RGBW CL-P-DMX512-300-CV CL-P-48-CC CL-P-144-CC CL-P-192-CC
Application		RGB/ RGBW LED products (Indoor use)	RGB/ RGBW LED products (Indoor use)
Power supply		Required	Required
Power input		12V DC	12 - 24V DC
Output signal		Standard DMX512 protocol	Standard DMX512 protocol
Channels		4 channel	16 (each zone 4 channels)
Zone control		1 zone	4 zone
Inbuilt programs		1 (colour scroll)	10
Sound control		Yes	No
Operating temp		-10°C - +50°C	-10°C - +50°C
Lighting		256 level brightness Full colour control	256 level brightness Full colour control
Control		Press and twist dial	Touch panel
Connections			
Power		Terminal screw	Terminal screw
DMX512 Signal		Terminal screw	Terminal screw
Quality			
Grade		Commercial	Commercial
CE and RoHS certified		Yes	Yes
Warranty		2 years	2 years
Dimensions (mm)			
Length		86	86
Width		86	86
Depth		37	29.1
Weight		0.5kg	0.5kg
Fixing		UK single gang back box	UK single gang back box
Material		White plastic	White glass

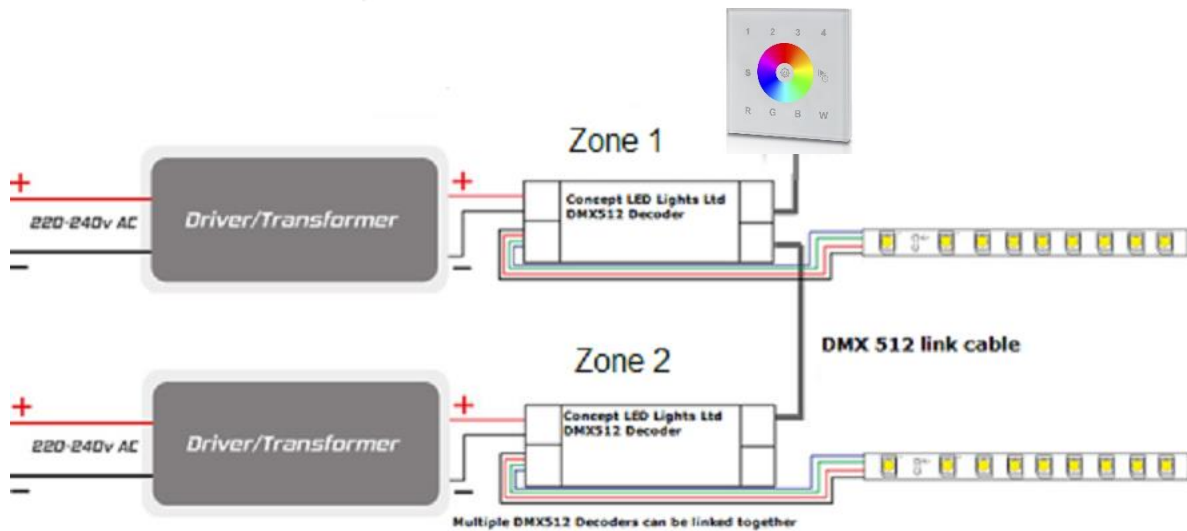


Wiring diagram for:
CL-WC-DMX-SL (single zone)





Wiring diagram for:
CL-WC-DMX-04 (4 zone)



NB: up to 4 zones can be controlled.

Zone 1: channels 1 – 4

Zone 2: channels 5 – 8

Zone 3: channels 9 – 12

Zone 4: channels 13 – 16

